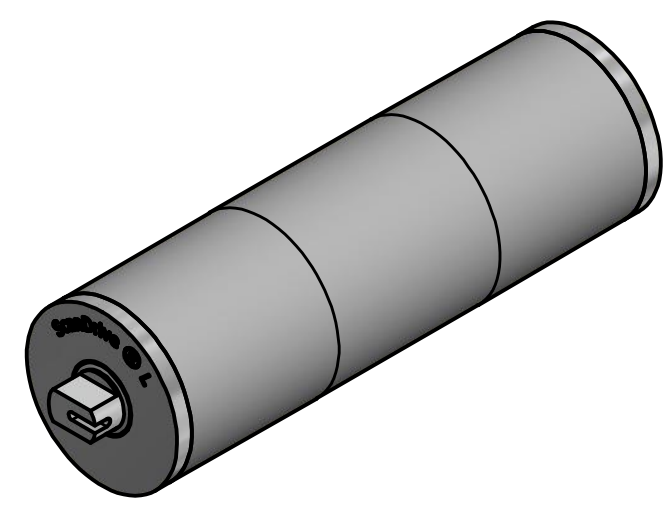
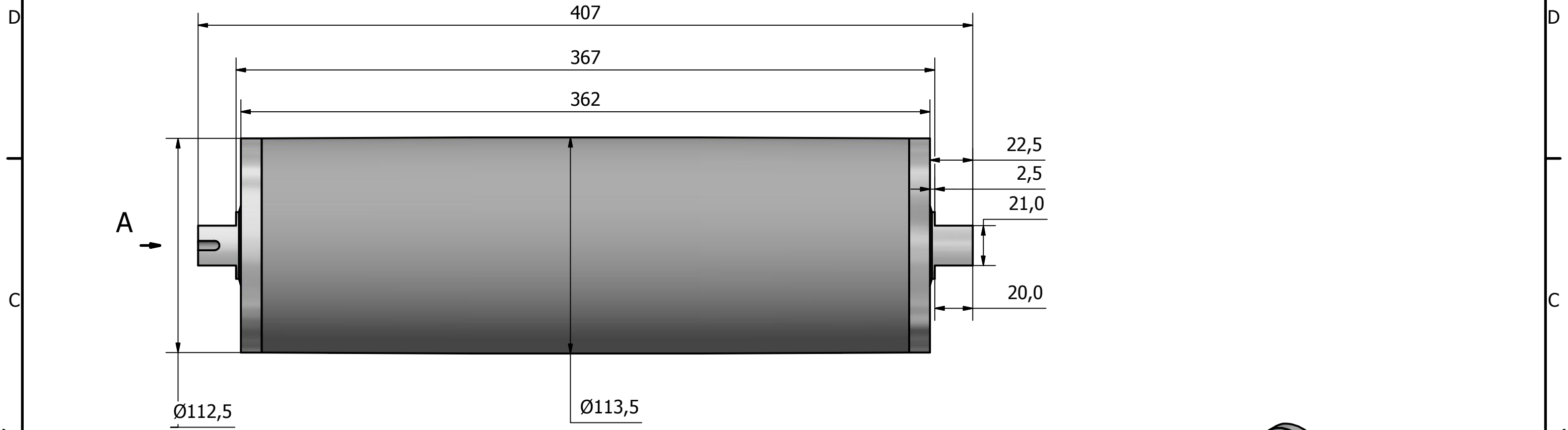
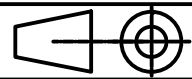



6 5 4 3 2 1



Designed by GUH	Checked by	Approved by	Date 08-06-2017	Date	Design state:	 Sheet size: A3
Tolerance : acc. to DS/ISO 2768 - medium					Scale: 1:2	
					Description: Part number: Scandrive L Ø113 RL362	Sheet 1 / 1

6 5 4 3 2 1