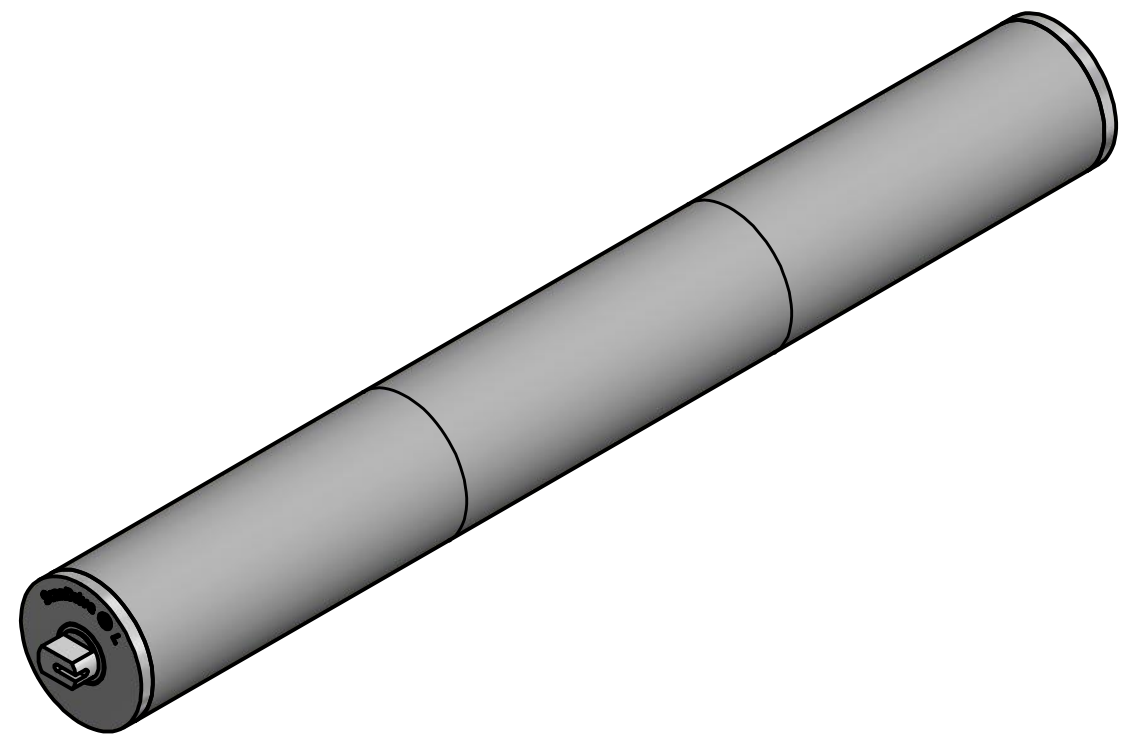
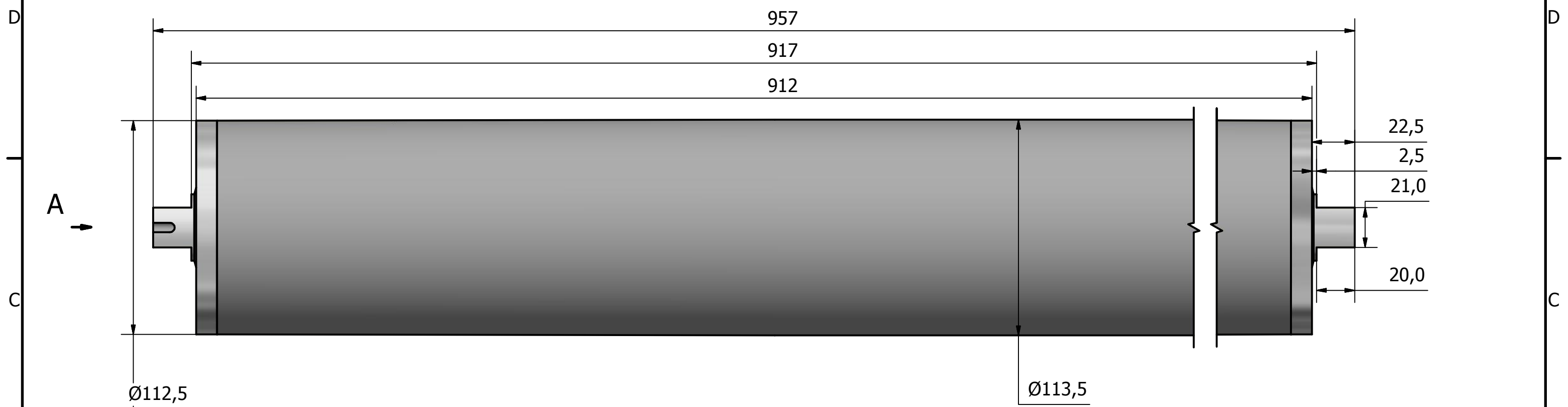
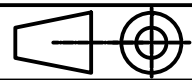



6 1 5 1 4 3 1 2 1 1



Designed by GUH	Checked by	Approved by	Date 13-06-2017	Date	Design state:	 Sheet size: A3
Tolerance : acc. to DS/ISO 2768 - medium					Scale: 1:2	
					Description: Part number: Scandrive L Ø113 RL912	Sheet 1 / 1

6 1 5 1 4 3 1 2 1 1