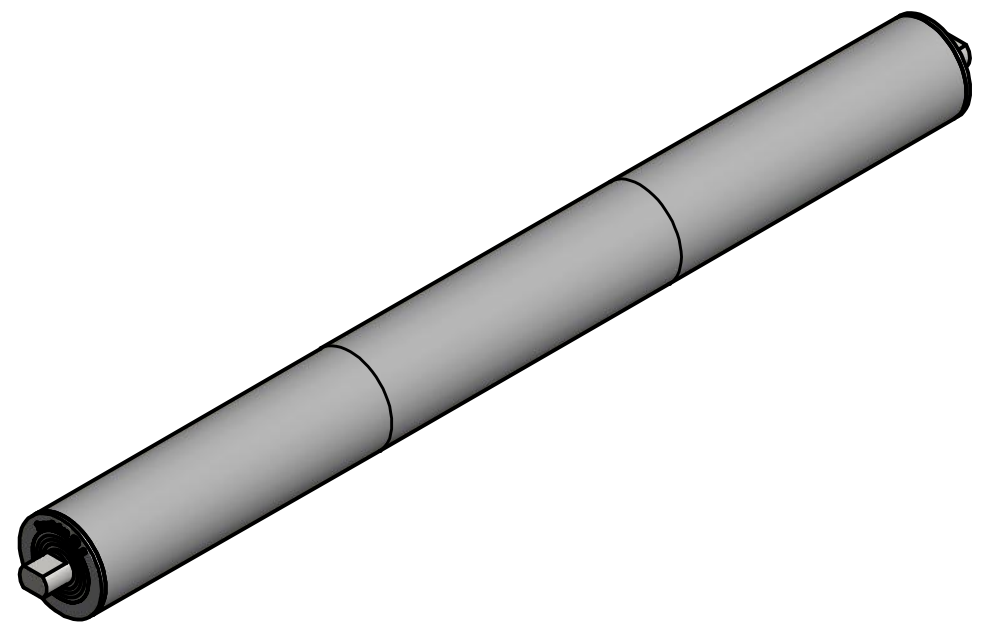
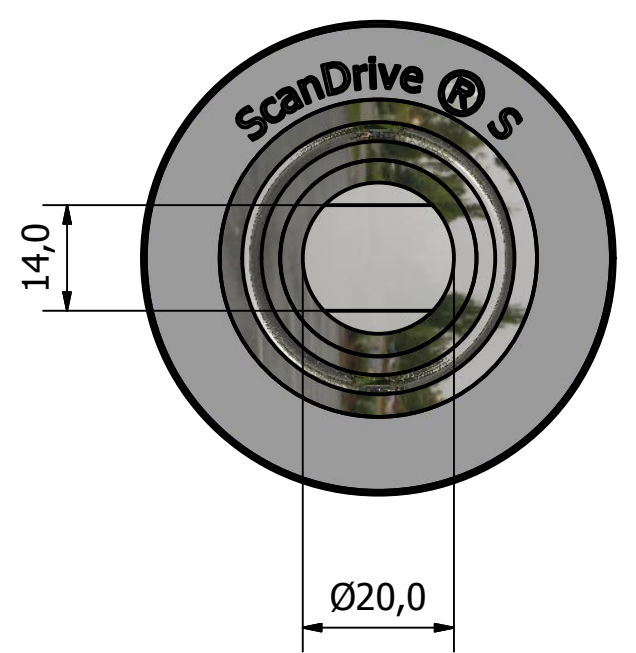
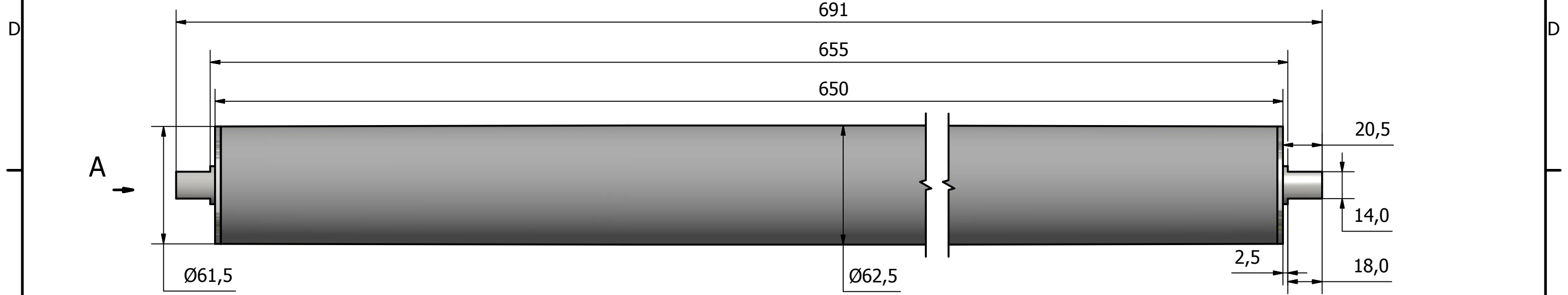




6 1 5 1 4 3 1 2 1



Designed by GUH	Checked by	Approved by	Date 19-04-2017	Date 19-04-2017	Design state:	 Sheet size: A3
Tolerance : acc. to DS/ISO 2768 - medium						
				Description:		Sheet
				Part number: Scandrive S Ø60 RL650		1 / 1

6 1 5 1 4 3 1 2 1