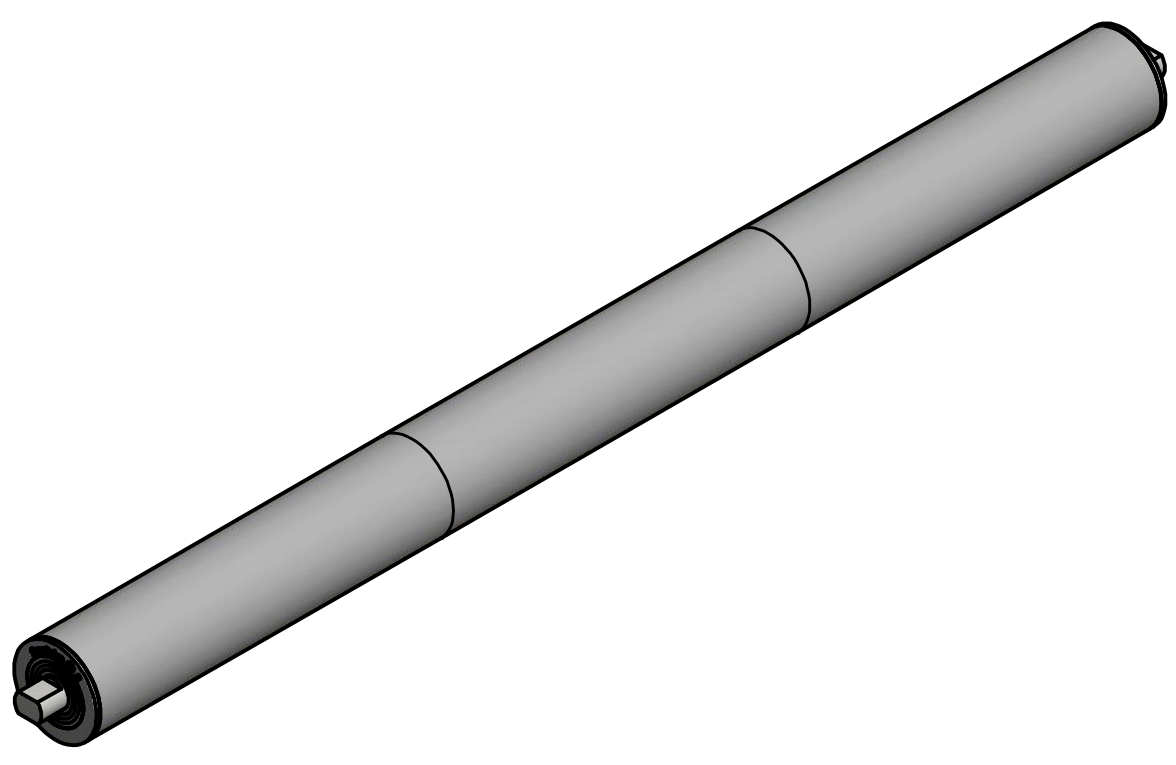
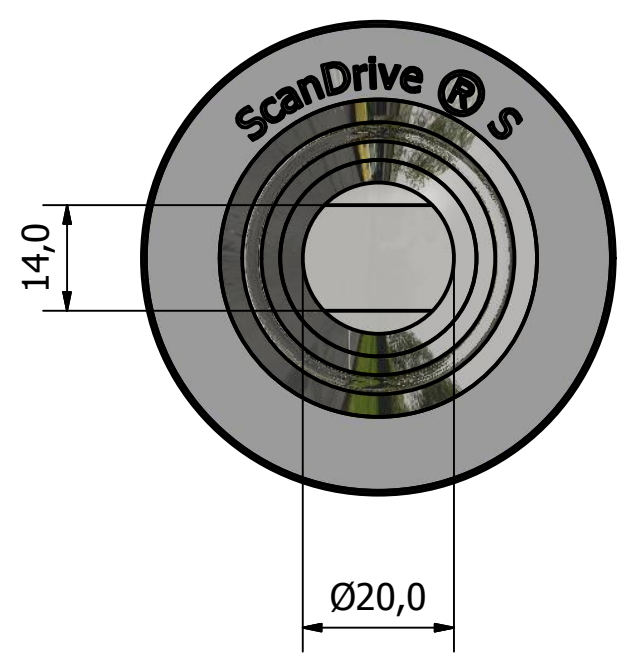
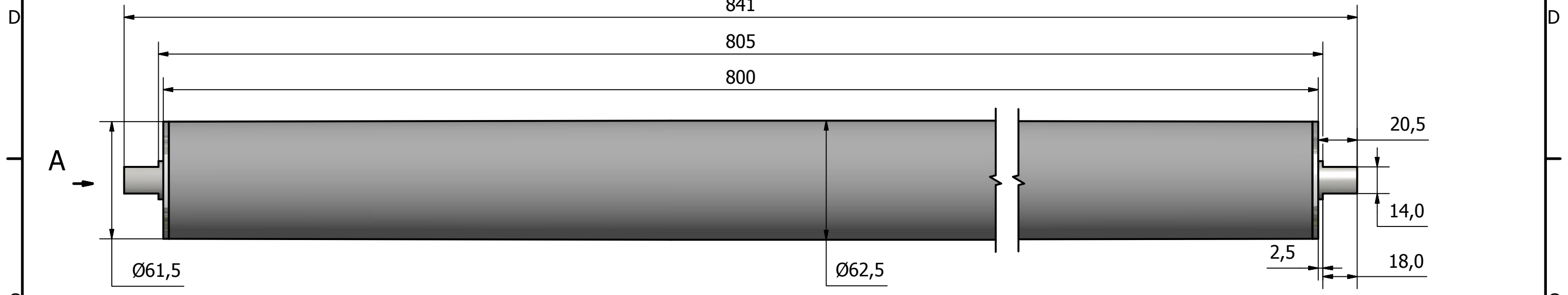
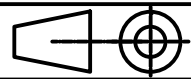



6 5 4 3 2 1



6 5 4 3 2 1

Designed by GUH	Checked by	Approved by	Date 19-04-2017	Date	Design state:	
Tolerance : acc. to DS/ISO 2768 - medium						
				Description:		Scale: 1:2
				Part number: Scandrive S $\varnothing 60$ RL800		Sheet 1 / 1